

## Analog Disc Input Board

### High-performance phono equalizer amp for playback of analog records

The AD-50 is a high-performance phono equalizer amp board suitable for use in various Accuphase preamplifiers or integrated amplifiers (※1). It features latest circuit topology and carefully selected high-quality materials for lowest noise and extremely precise RIAA equalization with minimum deviation. This brings out the sonic character of every phono cartridge, letting the listener fully enjoy the enchanting musical qualities of analog records. MC/MM switching can be performed with the controls on the front panel of the amplifier (※2). For MC, the impedance most suitable for the cartridge in use can be selected (30/100/300 ohms). The board also incorporates a subsonic filter to cut ultra low frequency noise and woofer flutter caused by record warps which could otherwise affect reproduction quality in the audible spectrum.

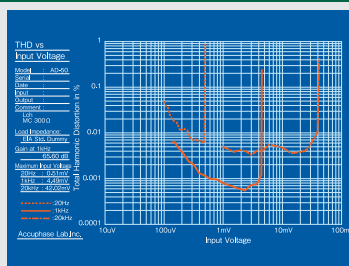
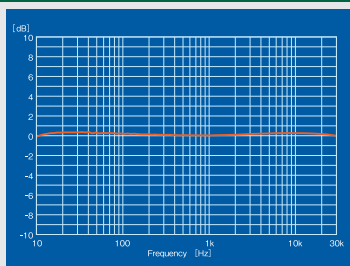
#### MC/MM switching

MC/MM selector button and LED indicator

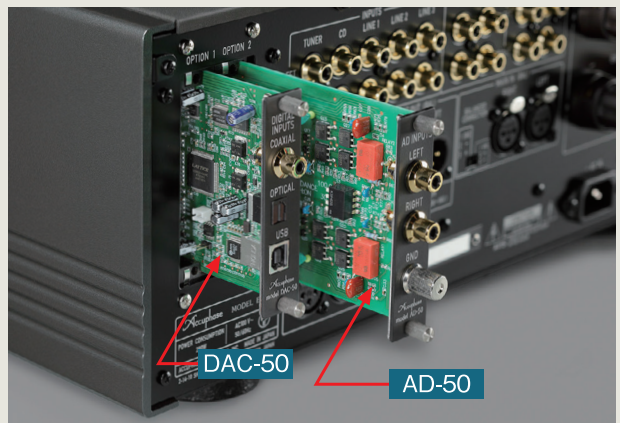
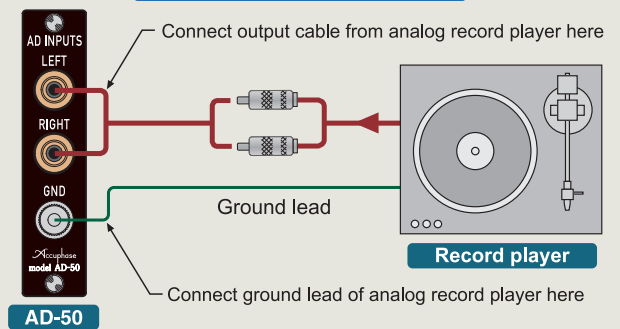
MC/MM switching can be performed with the MC/MM selector button

E-650 indication example

#### Performance graphs



#### AD-50 connection example



## AD-50 Specifications

### MC/MM Phono Equalizer Amplifier

- **MC/MM switching type**
- **Gain**
  - MC: 66 dB
  - MM: 40 dB
- **Input impedance**
  - MC: 30/100/300 ohms
  - MM: 47 kilohms
- **Subsonic filter**
  - 25 Hz -12 dB/octave

#### ※1 : Accuphase models that support AD-50 installation

C-2000, C-2110, C-2120, C-245, C-265, CX-260  
E-211, E-212, E-213, E-250, E-260, E-270, E-306V, E-307, E-308, E-350, E-360, E-370, E-406V, E-407, E-408, E-450, E-460, E-470, E-530, E-550, E-560, E-600, E-650

#### ※2 : Accuphase models that support front panel MC/MM switching

C-2110, C-2120, E-250, E-260, E-270, E-350, E-360, E-370, E-450, E-460, E-470, E-550, E-560, E-600, E-650